



GE® 5.0 cu. ft. Capacity Washer with SmartDispense

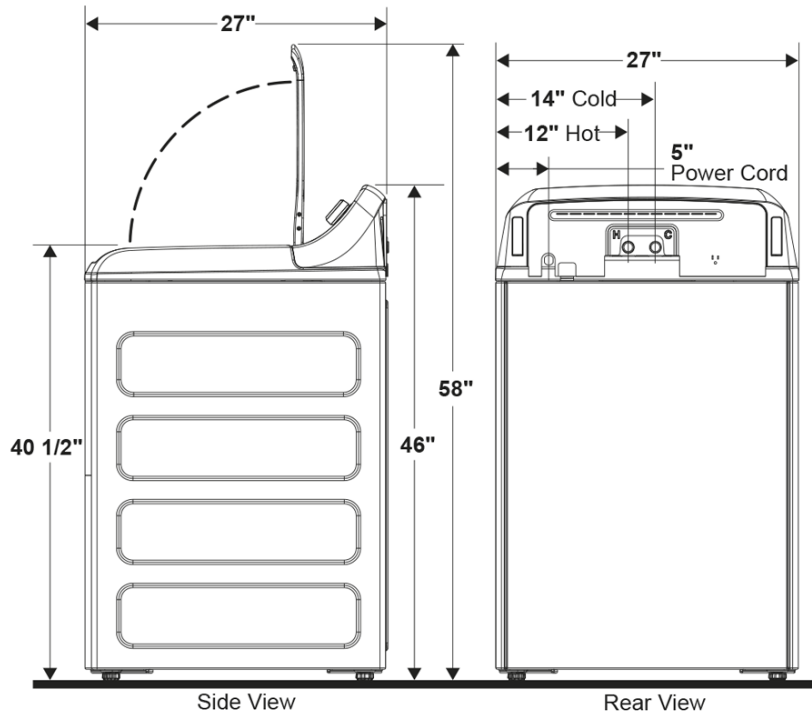
Model#: GTW845CPNDG

GE Appliances has a policy of continuous improvement of its products and reserves the right to change materials and specifications without notice.

Photo Not Available

Available Models

- White
GTW845CSNWS



Above illustration intended for dimensional reference only. Refer to photograph for actual product appearance.

CAPACITY	
Total Capacity (cubic feet)	5.0
Wash Basket Type	Stainless Steel
FEATURES	
Number of Cycles	10 + Water Station
Washer Cycles	Colors/Normals Delicates Whites Jeans Active Wear Towels & Sheets Bulky Items Quick Wash Sanitize with Oxi Rinse/Drain & Spin
Washer Options/Settings	My Cycle Delay Wash Extra Rinse Deep Rinse (select when using fabric softener) Auto Soak Warm Rinse Deep Fill Power Pre-Wash
Dispenser	Bleach Detergent (Liquid/Powder) Fabric Softener SmartDispense
SmartDispense™ Technology	Yes
Wash Mechanism	Dual-Action Agitator
Agitator Type	Dual-action agitator
Control Type	Electronic Touch with Selector Knob
Wash/Rinse Temperatures	6 + Automatic Temperature Control
Wash/Spin Speed Combinations	5
Washer Control Features	LED Cycle Status Lights Digital Cycle Countdown End-of-Cycle Signal
Water Levels	Adaptive Fill
Water Temp System	Hot, Warm, Colors, Cool, Cold, Tap Cold
Whites Cycle	Extra Light, Light, Normal, Heavy, Extra Heavy
Colors Cycle	Extra Light, Light, Normal, Heavy, Extra Heavy
Optional Soil Levels	Extra Light Light Normal Heavy Extra Heavy
Delicates Cycle	Extra Light, Light, Normal, Heavy, Extra Heavy
Style	Top-Load High-Efficiency
WiFi Connect	Built-In
Additional Washer Features	Stain Pretreat Auto Balance Suspension System Leveling Legs Soft Close Clear Glass Lid Direct Drive
Connected Capabilities	Amazon Alexa The Google Assistant IFTTT
Maximum Spin Speed	800 RPM
APPEARANCE	
Color Appearance	Diamond Gray
WEIGHTS & DIMENSIONS	
Approximate Shipping Weight	170.0
Height Needed for Lid to Raise 90 Degrees	58
Net Weight	162.0
Overall Depth	27
Overall Height	46
Overall Width	27
POWER / RATINGS	
Motor Speeds	Variable
Volts/Hertz/Amps	120 V; 60 Hz; 10A



GE® 5.0 cu. ft. Capacity Washer with SmartDispense

Model#: GTW845CPNDG

GE Appliances has a policy of continuous improvement of its products and reserves the right to change materials and specifications without notice.

Photo Not Available

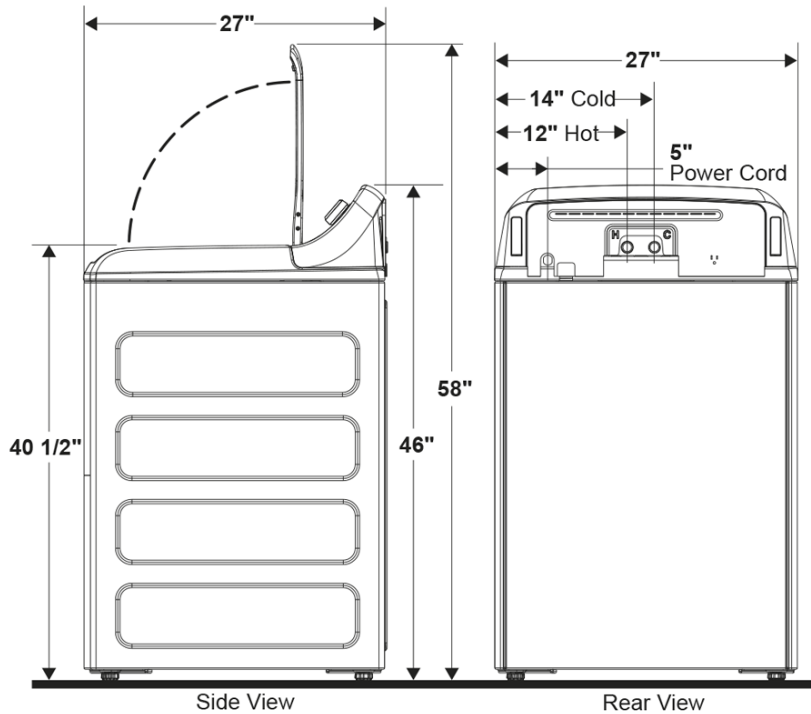
Available Models

- **White**
GTW845CSNWS

FILTER	
App Filter - Capacity	Washer Large (4.1-4.9 cu. ft.)
App Filter - Product Type	Washers Top Load
App Filter - Single Item Cycle	No
App Filter - WiFi Connect	Built-In

CLAIMS AND CERTIFICATIONS

ENERGY STAR® Qualified
 MADE IN AMERICA: 70 to 90% U.S. Content
 California Prop 65



Above illustration intended for dimensional reference only. Refer to photograph for actual product appearance.