

LG LAUNDRY
WT7405C_

5.3 cu.ft. Top Load Washer with 4-Way™ Agitator
& TurboWash3D™ Technology

5.3 cu.ft. Mega Capacity
4-Way™ Agitator
TurboWash3D™ Technology
6Motion™ Technology
Smart Pairing™ / ThinQ® Technology / Proactive Customer Care
Deep Fill Option
ColdWash™ Technology
NeveRust™ Stainless Steel Tub
Direct Drive Motor 10-Year Limited Warranty
ENERGY STAR® Certified


Enjoy new ways to control your home with LG smart appliances

- Use the ThinQ® app to start the laundry while you're out
- Get alerts when the cycle is finished
- Proactive Customer Care offers preventative maintenance tips

LG ThinQ®


SUMMARY		WASH OPTIONS		SMART FEATURES	
Type	Top Load Washer	No. of Options	15	LG ThinQ® Technology	Yes
Energy Star Qualified	Yes	Options	TurboWash™, Extra Rinse, Add Garments, Delay Wash, Control Lock, Deep Fill, ColdWash™, Rinse+Spin, Spin Only, StainCare, Tub Clean, Signal, Remote Start, Wi-Fi, Soak	Proactive Customer Care (PCC)	Yes
Capacity (cu.ft.)	5.3 cu. ft.	No. of Wash/Rinse Temps	5	SmartDiagnosis™	Yes
Matching Electric Dryer	DLE7400VE	Wash/Rinse Temps	Hot, Warm, Semi Warm, Cold, Tap Cold	WiFi Connectivity	Yes
Matching Gas Dryer	DLG7401VE	No. of Spin Speeds	5	Remote Start and Cycle Monitor	Yes
Color	Graphite Steel (V)	Spin Speeds	Extra High, High, Medium, Low, No Spin	Energy Monitoring	Yes (Wifi)
APPEARANCE		No. of Water Levels	Automatically adjusts to the size of load	MOTOR AND AGITATOR	
Intelligent Electronic Controls with Dual LED Display	Yes	No. of Soil Levels	3	Motor Type	HEDD
Touch Buttons	Yes	FABRIC CARE FEATURES		Max RPM	950
Electronic Control Panel with LED Display	Yes	TurboWash3D™ Technology	Yes	Axis	Vertical
Dial-A-Cycle™	Yes	SmartRinse™ Jet Spray System	Yes	MATERIALS AND FINISHES	
ENERGY		ColdWash™ Option	Yes	NeveRust™ Stainless Steel Drum	Yes
ENERGY STAR® Qualified	Yes	SenseClean™ System	Yes	Cabinet	Painted Steel
IMEF	2.06	CONVENIENCE FEATURES		All Available Colors	Graphite Steel (V)
IWF	4.3	SlamProof™ Lid	Yes	Lid	White - Transparent Glass
WASH PROGRAMS		TrueBalance™ Anti-Vibration System	Yes	POWER SOURCE	
No. of Programs	8	SmartDiagnosis™	Yes	Ratings	CSA Listed
Wash Programs	Normal, Heavy Duty, Bedding, Deep Wash, Pre Wash+ Normal, Delicates, Waterproof, Down-loaded	3-Tray Dispenser	Yes	Electrical Requirements	120V @ 60Hz.
		LoadSense	Yes	DIMENSIONS	
		Status Indicator(s)	Yes	Product (WxHxD)	27" x 44 1/2" x 28 3/8" (57 1/4" H with lid open)
		End of Cycle Signal	Yes	Carton (WxHxD)	29 19/32" x 46 3/8" x 31 3/8"
		Child Lock	Yes	Weight (Product)	130 lbs
		Auto Suds Removal	Yes	Weight (Carton)	162.3 lbs
		Forced Drain System	Yes	LIMITED WARRANTY	
		Add Garment Indicator	Yes	Parts and Labor	1 Year
		LoDecibel™ Quiet Operation	Yes	Direct Drive Motor	10 Years
		Leveling Legs	Yes	Drum	3 Years
				UPC CODES	
				WT7405CV (Graphite Steel)	195174026670

WT7405C_

5.3 cu.ft. Top Load Washer with
4-Way™ Agitator & TurboWash3D™ Technology

QUICK INSTALL & CLEARANCES

For full installation directions/clearances please refer to
the corresponding User Manual and Installation Guide.

DIMENSIONS/CLEARANCES/WEIGHTS

A Width	27"
B Height	44 1/2"
C Depth	28 3/8"
D Height with lid open	57 1/4"
Carton Dimensions (WxHxD)	29 19/32" x 46 3/8" x 31 3/8"

ENERGY / RATINGS

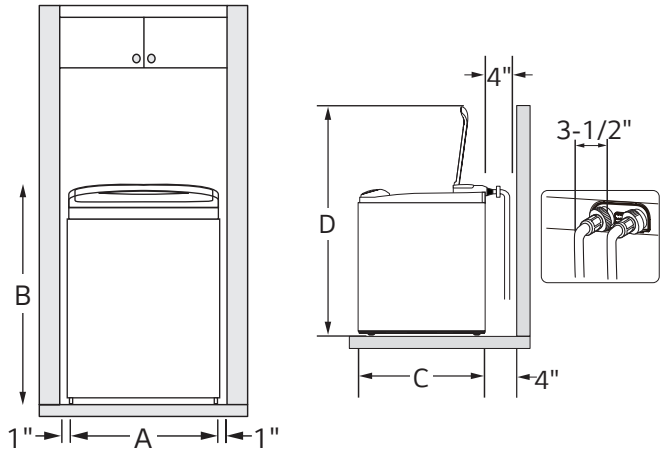
ENERGY STAR® Qualified	Yes
IMEF	2.06
IWF	4.3
Ratings	CSA Listed
Electrical Requirements	120V @ 60Hz.

ELECTRICAL REQUIREMENTS

- The washer should be plugged into a 120-VAC, 60-Hz grounded 3-prong outlet. Plug in the washer. Improper connection of the equipment-grounding conductor can result in risk of electric shock. Check with a qualified electrician or service technician if you are in doubt as to whether the appliance is properly grounded. Do not modify the plug provided with the appliance. If it does not fit the outlet, have a proper outlet installed by a qualified electrician. Failure to follow these warnings can cause serious injury, fire, electrical shock, or death.
- The power outlet must be within 60 inches (1.5 m) of either side of the washer.
- The appliance and outlet must be positioned so that the plug is easily accessible.
- Do not overload the outlet with more than one appliance.
- The outlet must be grounded in accordance with current wiring codes and regulations.
- Time-delay fuse or circuit breaker is recommended.
- It is the personal responsibility and obligation of the product owner to have a proper outlet installed by a qualified electrician.



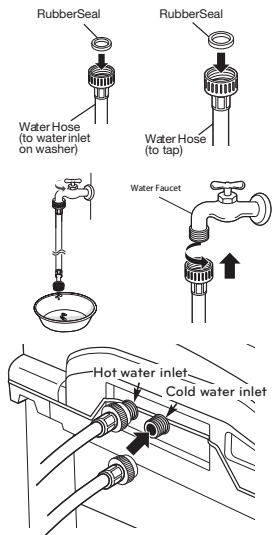
DIMENSIONS AND CLEARANCES



- To ensure sufficient clearance for water lines and airflow, allow minimum clearances of at least 1 in. (2.5 cm) at the sides and 4 in. (10 cm) behind the unit. Be sure to allow for wall, door, or floor moldings that may increase the required clearances.

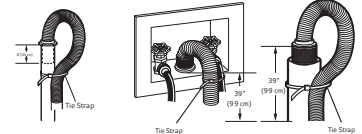
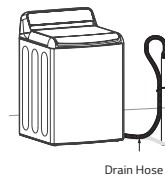
CONNECTING THE WATER LINES

- LG recommends the use of LG hoses. Any leaking, property damage, or damage to the washing machine caused by an improper installation or by the use of non-LG hoses is not covered under the terms of the LG warranty and is the sole responsibility of the customer and/or an installer.
- Water supply pressure must be between 20 psi and 120 psi (138-827 kPa). If the water supply pressure is more than 120 psi, a pressure reducing valve must be installed.
- Inspect the threaded fitting on each hose and make sure there is a rubber seal in place in both ends of each hose.
- Connect the water supply hoses to the HOT and COLD water faucets tightly by hand and then tighten another 2/3 turn with pliers.
- Always run a gallon or two of water through each inlet hose to flush dirt, scale and other debris out of the water lines. Doing so will help prevent future problems with clogged filter screens, and will also allow you to verify which water line is hot and which is cold.
- Attach the hot water line to the hot water inlet on the back of the washer. Attach the cold water line to the cold water inlet on the back of the washer. Tighten the fittings securely. Turn ON both faucets all the way and check for leaks at both ends of the hoses.



CONNECTING THE DRAIN HOSE

- The drain hose should always be properly secured. Failure to properly secure the drain hose can result in flooding and property damage.
- The drain must be installed in accordance with any applicable local codes and regulations.
- Make sure that the drain hose is not stretched, pinched, crushed, or kinked.
- Normal height of the end of the hose should be approximately 35"-47" (0.9-1.2 m) from the floor.
- Do not install the end of the drain hose lower than 29 in. (73.7 cm) or higher than 96 in. (243.8 cm) above the bottom of the washer or more than 60 in. (152.4 cm) away from the washer.
- Never create an airtight seal between the hose and the drain with tape or other means. If no air gap is present, water can be siphoned out of the tub resulting in poor wash/rinse performance or clothing damage.



STANDPIPE Option

- Do not insert the end of the drain hose into the standpipe more than 8 inches (20cm). Doing so can cause siphoning, odors, or improper draining.

LAUNDRY TUB Option

- Do not use this drain hose with a floor drain. The end of the drain hose must be at least 29 inches above the floor for proper draining to occur.