

## FFFC25M4TW

### FREEZER

MANUAL DEFROST  
24.8 CU. FT. CHEST



#### AVAILABLE COLORS



White

### SIGNATURE FEATURES

#### Casters Included

6 Optional casters allow you to conveniently move your freezer.

#### Adjustable Temperature Control

Select the correct temperature for your needs.

#### Power-On Indicator Light

Know at a glance that your freezer is working.

#### Lock with Pop-Out Key

The freezer key automatically ejects after locking the door so you won't leave it in the door.

#### PRODUCT DIMENSIONS

Height (Including Lid) 31-3/4"

Width 83-1/8"

Depth 31-1/2"

#### MORE EASY-TO-USE FEATURES

##### 2 SpaceWise® Adjustable Baskets

Find items faster with removable plastic baskets that can help you organize items by categories or purchase date, and can be slid across freezer.

##### Color-Coordinated Handle

##### LED Lighting

# FFFC25M4TW FREEZER

24.8 CU. FT. CHEST

FRIGIDAIRE

## FEATURES

Defrost	Manual
Adjustable Temperature Control	Yes
Interior Lighting	LED
SpaceWise® Removable Baskets	2
Defrost Water Drain	Yes
Lid Handle	Yes
Lock with Pop-Out Key	Yes
Casters (Included)	6
Power-On Light	Yes

## CERTIFICATIONS

CSA Rating	Household
------------	-----------

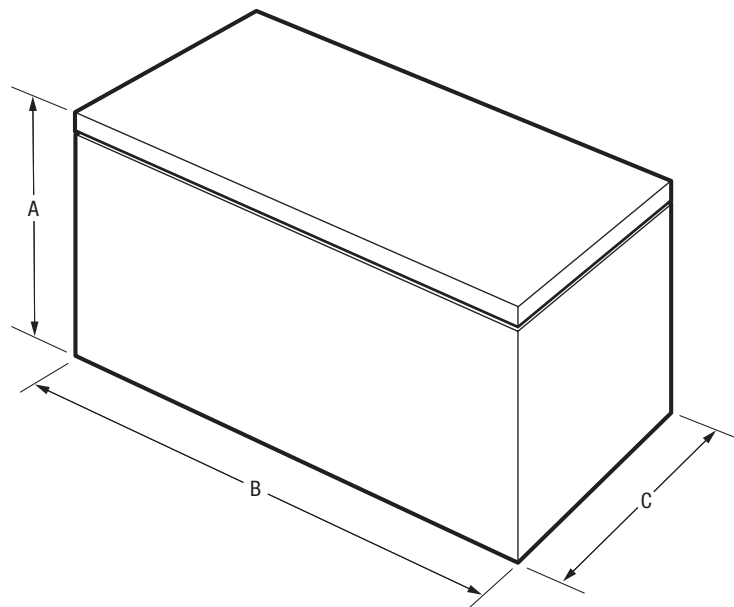
## SPECIFICATIONS

Total Capacity (Cu. Ft.)	24.8
Annual Energy (kWH)	424
Annual Energy Cost (.1065/kWH)	\$50.88
Power Cord Connection Location	Left Bottom Rear
Voltage Rating	115V/60Hz
Connected Load (kW rating) @ 115 Volts <sup>1</sup>	0.6
Amps @ 115 Volts	5
Minimum Circuit Required (Amps)	15
Shipping Weight (Approx.)	220.5 Lbs.

<sup>1</sup>An electrical supply with grounded three-prong receptacle is required. The power supply circuit must be installed in accordance with current edition of National Electrical Code (NFPA 70) and local codes & ordinances.

## PRODUCT DIMENSIONS

A - Height (Including Lid)	31-3/4"
B - Width	83-1/8"
C - Depth	31-1/2"
Height with Lid Open 90°	61"

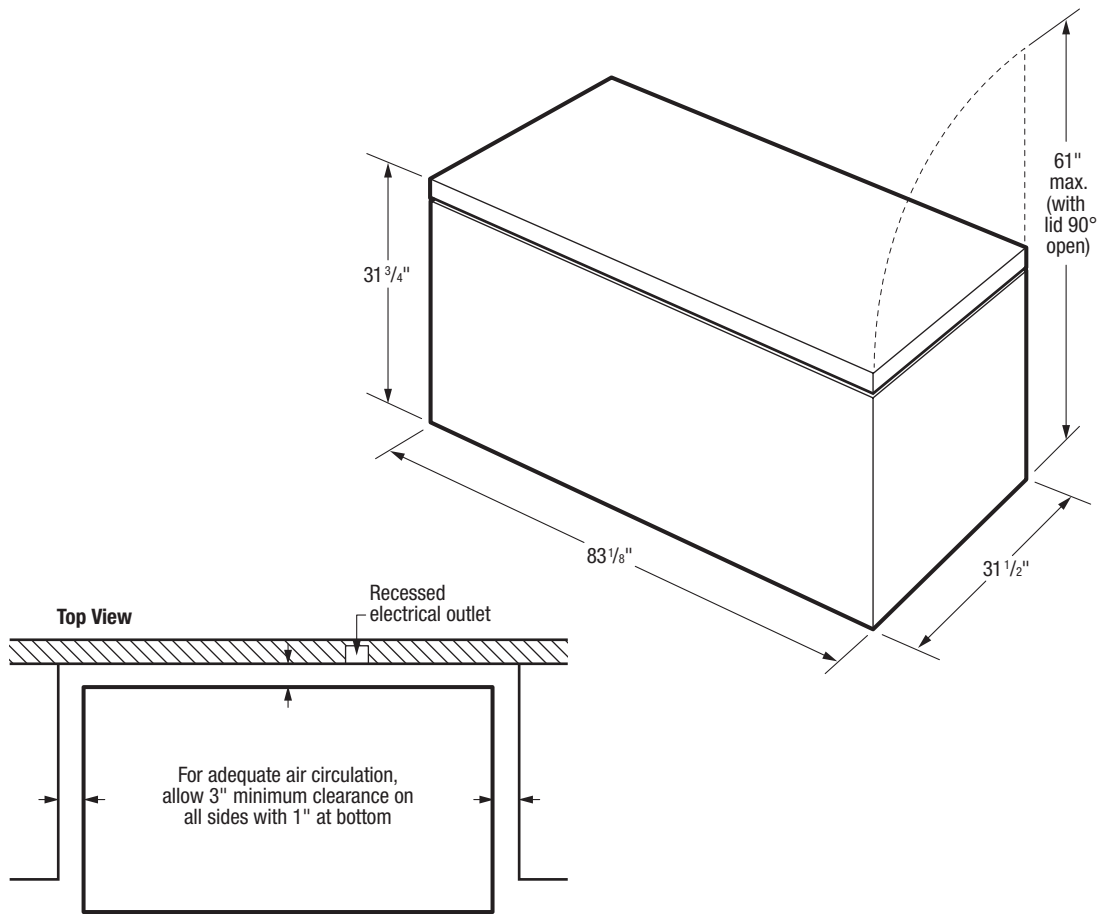


**Note:** For planning purposes only. Always consult local and national electric, gas and plumbing codes. Refer to Product Installation Guide for detailed installation instructions on the web at [frigidaire.com](http://frigidaire.com) / [frigidaire.ca](http://frigidaire.ca).  
Specifications subject to change. Accessories information available on the web at [frigidaire.com](http://frigidaire.com) / [frigidaire.ca](http://frigidaire.ca)

FRIGIDAIRE

USA • 10200 David Taylor Drive • Charlotte, NC 28262 • 1-800-FRIGIDAIRE • [frigidaire.com](http://frigidaire.com)  
CANADA • 5855 Terry Fox Way • Mississauga, ON L5V 3E4 • 1-800-265-8352 • [frigidaire.ca](http://frigidaire.ca)

FFFC25M4T 11/17  
© 2017 Electrolux Home Products, Inc.



## INSTALLATION SPECIFICATIONS

- Product Shipping Weight (approx.) – 220.5 Lbs.
- An electrical supply with grounded three-prong receptacle is required. The power supply circuit must be installed in accordance with current edition of National Electrical Code (NFPA 70) and local codes & ordinances.
- Voltage Rating – 115V/60 Hz
- Connected Load (kW Rating) @115 Volts = 0.6 kW
- Amps @115 Volts = 5 Amps
- Always consult local and national electric codes.
- For adequate air circulation, allow 3" minimum clearance on all sides with 1" at bottom.

- Locate where surrounding air temperature will not exceed 110°F, to ensure optimum performance. (Temperatures 32°F and below will NOT affect operation.)
- All bottom corners of unit **MUST** rest firmly on solid level surface of hard material, same height as flooring. Surface must be strong and stable enough to support unit when fully loaded.
- Equipped with adjustable leveling legs to ensure unit is level, which is required in order to function properly.

