

ASSEMBLY INSTRUCTIONS

Item No. : LPS221

(1) Carefully remove all parts from box and remove all plastic covering from lamp parts.

(2) Place the Lamp Base (A) on the floor.

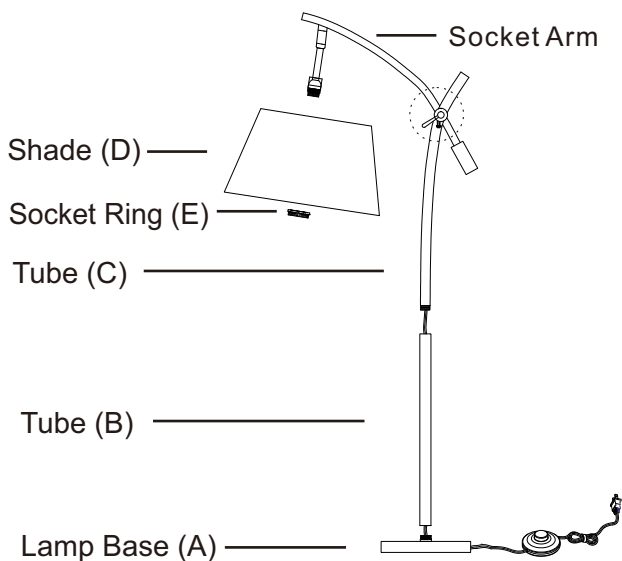
(3) Screw the Tube (B) into the Base (A) while pulling cord through the base.

(4) Screw the Tube (C) into the Tube (B) while pulling cord through the base and tighten the metal screw .

(5) Please refer Diagram 1 to tighten the Socket Arm. Please hold the Socket Arm in "up-position" as diagram 1 shown, and tighten the Phillips Head Screw which already pre-installed on Socket Arm by using a Phillips Head Screwdriver (not included).

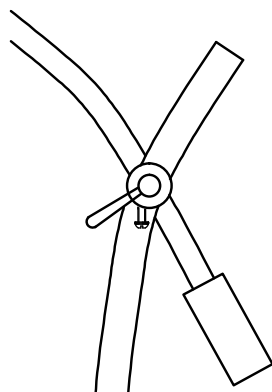
(6) Unscrew The Socket Ring (E) from the Socket and place the Shade (D) onto the Socket.

(7) Screw the Socket Ring (E) into Socket and tighten the Shade.



CAUTION: TO REDUCE RISK OF FIRE. USE 150 WATT TYPE A  LAMP MAX.
120V 60Hz AC only, Made In China

Diagram 1:



CAUTION: IMPORTANT SAFETY INSTRUCTIONS

This portable lamp has a polarized plug (one blade is wider than the other) as a safety feature to reduce the risk of electric shock. This plug will fit in a polarized outlet only one way. If the plug does not fit fully in the outlet, reverse the plug. If it still does not fit, contact a qualified electrician. Never use with an extension cord unless the plug can be fully inserted. Do not alter the plug.

Made in China

Dear Customer,

Congratulations on your purchase of this quality lamp. It has been produced under the highest quality standards. Please read carefully the following precautions before using this lamp:

- When unpacking and assembling, be careful not to pull wire with full strength, as an incorrect connection could result.
- Only use the bulb and wattage specified in this instructions or on the label located on the socket.
- Do not attempt to replace bulb while the lamp is plugged into an electrical outlet.
- Do not use outdoors, or near water or other liquids.
- Unplug from outlet before removal of any parts and cleaning.
- Only use soft cloth for cleaning. Do not use any chemical or abrasive cleaners.
- Remove the cellophane cover from shade before use.
- During shipment, the socket cover may have become loose. Before inserting bulb, check to see that the socket cover is in place.