

FRIGIDAIRE GALLERY

**GCRE3038AD
GCRE3038AF**

Available Colors : Black Stainless Steel, Stainless Steel

Version : 10/19

Electric Ranges

30" Electric Range



Product Specifications

Electrical Specifications

Minimum Circuit Required (Amps)	40A
Voltage Rating	240V / 208V 60Hz

Certifications & Approvals

Agency Approval	UL
-----------------	----

Exterior

Cooktop Finish	Color-Coordinated Porcelain
Drawer Finish	Stainless Steel Smudge-Proof
Exterior Finish	Painted

Dimensions: Exterior

Depth (with Door 90° Open)	49"
Depth Including Handle	29-1/4"
Height	35 7/8" to 36 1/8"
Width	30"

Drawer

Drawer Functionality	Storage
----------------------	---------

General Specifications

Adjustable Leveling Legs	4 Adjustable
Made In USA	Yes
Prop 65 Label	Yes

Capacities

Total Capacity	5.4
----------------	-----

Cooking Controls

Bake	Yes
Broil	Yes
Cancel	Yes
Delay Clean	Yes
Door Lock	Yes
Keep Warm	No
Lockout	Yes
My Favorite	No
Quick Bake	Yes
Quick Preheat	No
STEAM CLEAN	Yes
Set Clock	Yes
Start Button	Yes
Probe	No
Timer	Yes

Oven

Bake	3500 Watts
Baking System	Even Baking Technology
Broil	3900 Watts
Broil System	Vari-Broil™ High/Low
Cleaning System	Self-Clean Steam Clean
Oven 1 Convection System	Quick Bake
Hidden Bake Element	Yes
Interior Lighting	1 Incandescent
Oven 1 Interior Color	Slate Blue
Oven 1 Interior Depth	19-1/8"
Oven 1 Interior Height	19-3/4"
Oven 1 Interior Width	24-3/8"
Oven 1 Rack Configuration	2 Standard
Oven 1 Rack Positions	7 positions
Oven 1 Type	Main
Oven 1 Window	Extra-Large Visualite®

Cooktop

Center Rear	100 Watts (Keep Warm)
Cooking Surface	Black Ceramic Glass
Cooktop Surface Type	smooth surface
Element On Indicator Light	1 Clear
Hot-Surface Indicator Light	1 Clear
Knob Color	Color-Coordinated
Knob Type	Plastic CC
Left Front	9" - 3200 Watts
Left Rear	6" - 1200 Watts
Right Front	6/12" - 1200/3200 Watts
Right Rear	6" - 1200 Watts

Note: For planning purposes only. Always consult local and national electric, gas and plumbing codes. Refer to Product Installation Guide for detailed installation instructions on the web at frigidaire.com / frigidaire.ca. Specifications subject to change. Accessories information available on the web at frigidaire.com / frigidaire.ca

FRIGIDAIRE GALLERY.

GCRE3038AD
GCRE3038AF

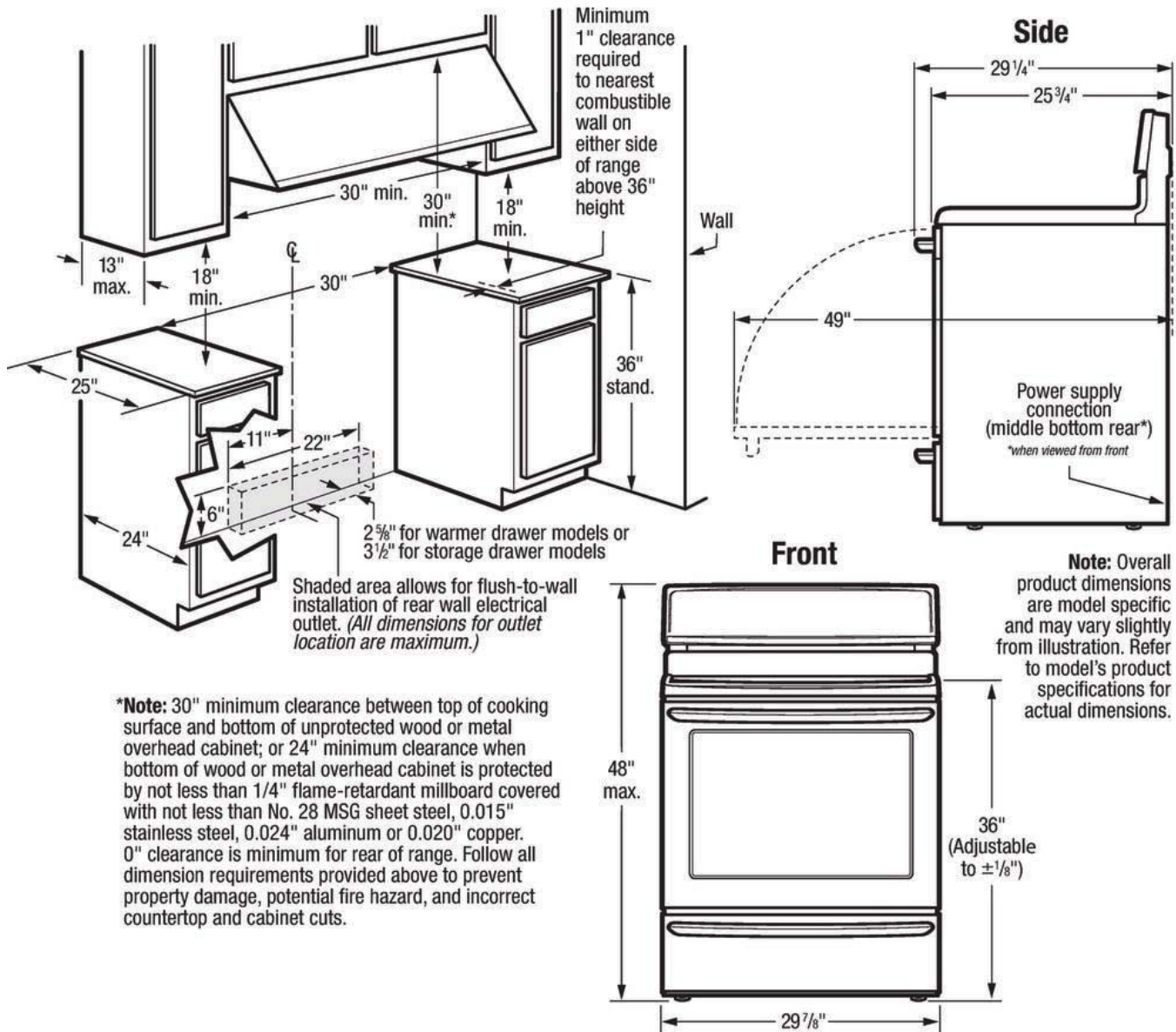
Available Colors : Black Stainless Steel, Stainless Steel

Version : 10/19

Electric Ranges

30" Electric Range

Installation Drawing



***Note:** 30" minimum clearance between top of cooking surface and bottom of unprotected wood or metal overhead cabinet; or 24" minimum clearance when bottom of wood or metal overhead cabinet is protected by not less than 1/4" flame-retardant millboard covered with not less than No. 28 MSG sheet steel, 0.015" stainless steel, 0.024" aluminum or 0.020" copper. 0" clearance is minimum for rear of range. Follow all dimension requirements provided above to prevent property damage, potential fire hazard, and incorrect countertop and cabinet cuts.

Note: For planning purposes only. Always consult local and national electric, gas and plumbing codes. Refer to Product Installation Guide for detailed installation instructions on the web at frigidaire.com / frigidaire.ca. Specifications subject to change. Accessories information available on the web at frigidaire.com / frigidaire.ca